

PRODUCT INFORMATION PACKET

Model No: 5KCR46JN0083Y

Catalog No: E250

.33 HP General Purpose Motor, 1 phase, 1800 RPM, 100-120/200-240 V, 56C Frame, ODP
Single Phase ODP Motors



Nameplate Specifications

Output HP	0.33 Hp	Output KW	0.25 kW
Frequency	60 Hz	Voltage	100-120/200-240 V
Current	4.0-3.8 A	Speed	1725 rpm
Service Factor	1.35	Phase	1
Efficiency	70 %	Duty	Continuous
Insulation Class	B	Design Code	-
KVA Code	R	Frame	56C
Enclosure	Drip Proof	Thermal Protection	MAN
Ambient Temperature	40 °C	Drive End Bearing Size	6203
Opp Drive End Bearing Size	6203	UL	Recognized
CSA	Y	CE	N

Technical Specifications

Electrical Type	Capacitor Start Capacitor Run(CSCR)	Starting Method	SM
Poles	4	Rotation	Counterclockwise/Clockwise
Mounting	Rigid Base	Motor Orientation	Any
Drive End Bearing	Locked	Opp Drive End Bearing	Ball
Frame Length	6.55 in	Shaft Extension	.625 X 1.88 - .188 X .188 KEY in
Connection Drawing	52A105383AC	Outline Drawing	52A107779P1

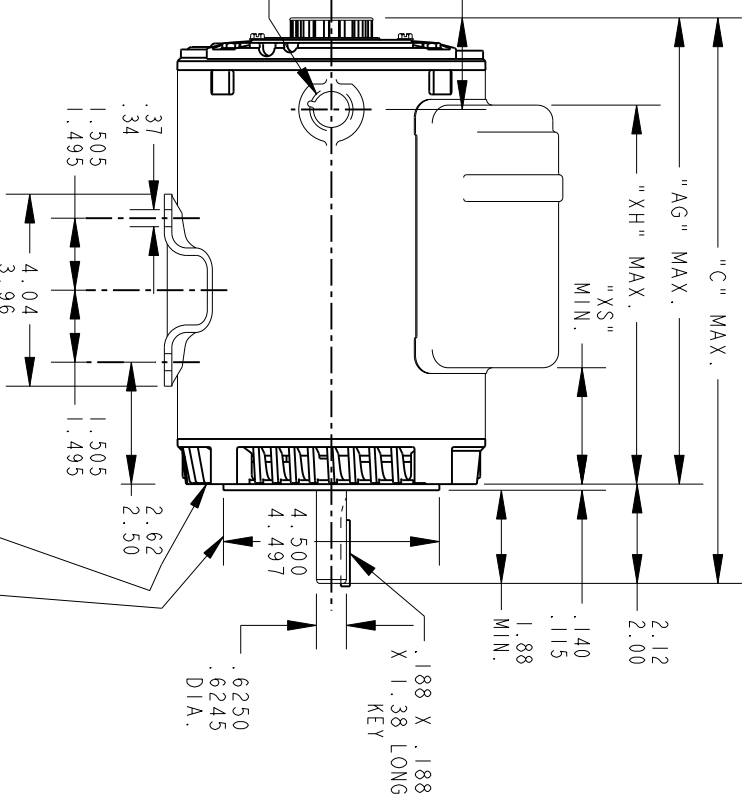
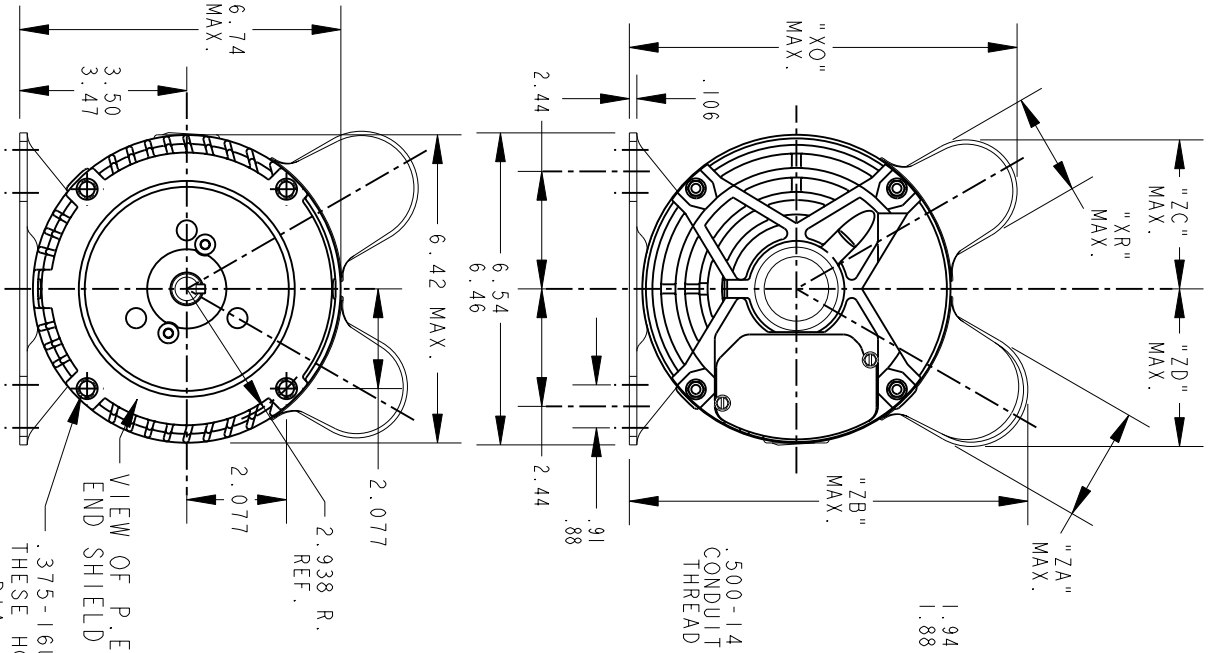
This is an uncontrolled document once printed or downloaded and is subject to change without notice. Date Created:02/11/2020



THIRD ANGLE PROJECTION

REVISIONS

REV.	DESCRIPTION	DATE	APPROVED
4	CHG TO RBC FORMAT PER IS05-1777	03/02/06	SUDHA



ECCENTRICITY OF THIS SURFACE (WITH INDICATOR MOUNTED STATIONARY, RELATIVE TO SHAFT) MUST NOT EXCEED .004 T.I.R.

.375-16UNC-2B (4 HOLES) .70 MIN. FULL THREAD. THESE HOLES FIT A GAGE HAVING A RABBIT 4.5005 DIA. AND 4 PINS .2917 DIA. LOCATED ON THE BASIC HOLE POSITIONS.

ALL DIMENSIONS ARE IN INCHES

2	KCR	49	56CY	11.38	9.26	7.54	8.18	2.15	1.79	2.40	8.40	3.20	3.38	7.15
1	KCR	46	56CY	10.78	8.66	6.94	8.18	2.15	1.19	2.40	8.40	3.20	3.38	6.55
P	TYPE	GE	NEMA	"C"	"AG"	"XH"	"XO"	"XR"	"XS"	"ZA"	"ZB"	"ZC"	"ZD"	MIN. SHELL

REGAL-BELOIT CORPORATION

OUTLINE

SIGNATURES		DATE
MODEL	M.D. PAPER	02/27/92
DETAIL		
CHECKED		
ENGRG		
FOR ADDITIONAL INFO REFER TO:	MFG	
APPLIED PRACTICES	QUALITY	
DIMENSIONS ARE IN INCHES	ISSUED	M.D. PAPER 02/27/92
MATERIAL	SOLID MODEL: 52A107779	

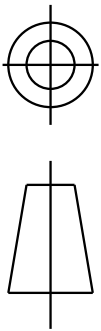
GENERAL PURPOSE MOTOR DRIP PROOF - BALL BEARING

WELDED BASE R2 END MOUNTED FME - 5KCR46JN0083Y & 5KCR49PN0095Y

SCALE: 0.250 REF. No.: .

52A107779 4

SHEET 1 of 1

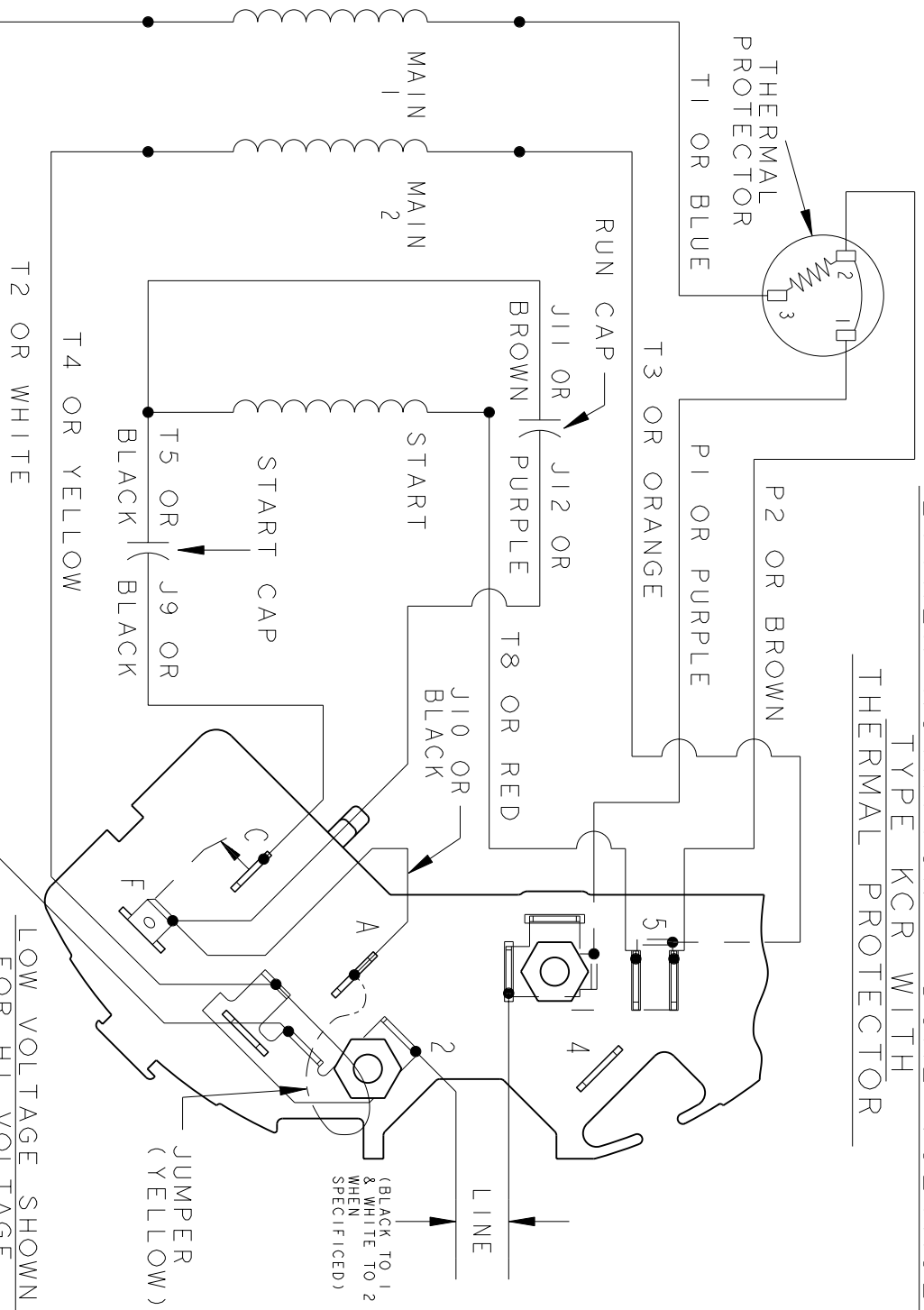


REV.	DESCRIPTION	DATE	APPROVED
4	ADDED NOTE FOR LINE LEAD PER DS09-1045	07/15/09	ARCHANA

EITHER ROTATION - DUAL VOLTAGE
TYPE KCR WITH
THERMAL PROTECTOR

52A105383AC

SIZE DRAWING NO.



LOW VOLTAGE SHOWN
FOR HI VOLTAGE
SEE NOTE #1

- NOTE #1 - FOR HI VOLTAGE REMOVE BROWN (P2) FROM TERMINAL #5 AND PLACE ON TERMINAL #4, REMOVE WHITE (T2) FROM TERMINAL #2 AND PLACE ON TERMINAL #5.
- NOTE #2 - TO REVERSE ROTATION INTERCHANGE BLACK (J10) AND RED (T8) LEADS.
- NOTE #3 - WHEN MORE THAN ONE CAPACITOR IS USED CONNECT IN PARALLEL.

REF. DIAG. - NONE

SWITCH - 115D958AC

CONNECTION LABEL - 52X332051

SIGNATURES		DATE
MODEL	M.D. PAPE	03/03/88
DETAIL		
CHECKED		
ENGRG		
MFG		
FOR ADDITIONAL INFO REFER TO:		
APPLIED PRACTICES	QUALITY	
DIMENSIONS ARE IN INCHES	ISSUED	M.D.P. 03/03/88
MATERIAL	SOLID MODEL:	52A105383AC



REGAL-BELOIT CORPORATION

CONNECTION DIAGRAM

30 FRAME SWITCH REDESIGN

SIZE DRAWING A
SCALE: 1.000 REF. No.:
REV 4

52A105383AC